



Heat-On Far Infrared Heating Panel

INSTRUCTION MANUAL



www.heat-on.com.au

Tel: 1300 737 104



SYMBOLS







Warning

This symbol indicates a hazard with an average risk level which, if not avoided, can result in serious injury or death.



Warning of electrical voltage

This symbol indicates dangers to the life and health of persons due to electrical voltage.

Symbols	Meaning
	<p>This symbol located on the device indicates that it is prohibited to place objects (such as towels, clothes etc.) above or directly in front of the device.</p> <p>In order to avoid overheating and fire hazards, the device must not be covered.</p>
	<p>This symbol located on the device indicates dangers to the life and health of persons due to hot surface.</p>
	<p>This symbol located on the device indicates that it is prohibited to spray the device.</p>
	<p>This symbol located on the device and information marked indicates that operating manual must be observed.</p>

CONTENT

- 1 | WARNING & PRECAUTION
- 2 | FEATURES
- 3 | TECHNICAL INFORMATION
- 4 | SCOPE OF SUPPLY
- 5 | DEVICE STRUCTURE
- 6 | INSTALLATION
- 7 | TROUBLESHOOTING
- 8 | MAINTENANCE & SERVICING
- 9 | STORAGE
- 10 | TECHNICAL ANNEX
- 11 | DISPOSAL

1 | WARNING & PRECAUTION

Read this manual carefully before using this heating appliance.

Always store the manual in the immediate vicinity of the device or its site of use!

Read all safety warnings and all instructions.

Failure to follow the warnings and instructions may result in electric shock, fire and / or serious injury. Save all warnings and instructions for future reference.



Warning

HO-FIR series heating panels are designed for ceiling mounting only.

Make sure the series you bought and install it in accordance to the tips in installation part!



Warning

This appliance can be used by children aged from 8 years and above and persons with reduced physical, sensory or mental capabilities or lack of experience and knowledge if they have been given supervision or instruction concerning use of the appliance in a safe way and understand the hazards involved.

Children shall not play with the appliance. Cleaning and user maintenance shall not be made by children without supervision.



Warning

Children of less than 3 years should be kept away unless continuously supervised.

Children aged from 3 years and less than 8 years shall only switch on/off the appliance provided that it has been placed or installed in its intended normal

operating position and they have been given supervision or instruction concerning use of the appliance in a safe way and understand the hazards involved.

Children aged from 3 years and less than 8 years shall not plug in, regulate and clean the appliance or perform user maintenance.



Warning

Do not use the device in small rooms if persons are present who cannot leave the room independently and who are not under constant supervision.



Warning

Some parts of this product can become very hot and cause burns. Particular attention has to be given where children and vulnerable people are present. Its dangerous of installation close to curtains and other combustible materials. To avoid the possibility of burns, the following people should be much more careful when using the heaters: infants and kids, people with sensitive skin, the old, the sick, people who is drunk, people who takes sleeping pills.

- Remove the protective film(on the front) before using.
- Be sure the input voltage is between 220-240V, 50Hz, and power supply has been strictly in accordance with IEC, left is null wire and right is live wire, and also well grounded.
- The devices will draw more current than small appliances, so a separate 10A+ socket is required.
- Do not use the device in potentially explosive rooms.
- Do not use the device in aggressive atmosphere.

- Set the device up in an upright and stable position.
- Let the device dry out after a wet clean. Do not operate it when wet.
- Do not use the device with wet or damp hands.
- Do not expose the device to directly squirting water.
- Never insert any objects or limbs into the device.
- Do not cover or transport the device during operation.
- Do not sit on the device.
- This appliance is not a toy! Keep away from children and animals. Do not leave the device unattended during operation.
- Check accessories and connection parts for possible damage prior to every use of the device. Do not use any defective devices or device parts.
- Ensure that all electric cables outside of the device are protected from damage (e.g. caused by animals). Never use the device if electric cables or the power connection are damaged!
- The electrical connection must correspond to the specifications in chapter Technical data.
- Insert the mains plug into a properly secured mains socket.
- Do not use the device when the socket or wire overloaded.
- Observe the device's power input, cable length and intended use when selecting extensions to the power cable. Completely unroll extension cables. Avoid electrical overload.
- Before carrying out maintenance, care or repair work on the device, remove the mains plug from the mains socket. Hold onto the mains plug while doing so.
- Switch the device off and disconnect the power cable from the mains socket when the device is not in use.
- Do not under any circumstances use the device if you detect damages

on the mains plug or power cable. If the supply cord is damaged, it must be replaced by the manufacturer, its service agent or similarly Qualified persons in order to avoid a hazard. Defective power cables pose a serious health risk.

- During the installation of the device observe the minimum distances from walls and other objects as well as the storage and operating conditions specified in the Technical data chapter.
- Never drill into the heating device.
- Do not use the device in immediate proximity to curtains.
- Do not place the device on combustible ground.
- Do not transport the device during operation.
- Do not touch the surface during the device working to avoid burns.
- Allow the device to cool down before transport and / or maintenance work.
- Do not use this device near bathtubs, shower trays, swimming pools or other water containers. Risk of electric shock!
- The device must be placed where the switches and controllers cannot be touched by a person in a bathtub or shower.
- Do not use this device in a child-care centre and bathroom.(Only for Sweden)
- Ceiling mounted panels must be higher than 1.8meters.

2 | FEATURES

- The device is designed to provide an efficient, comfortable and healthy heating system for any domestic users.
- These devices can reduce air circulation and help to maintain a clean, silent, dust free environment.
- A wide range of devices available in a huge choice of colors, sizes and styles.

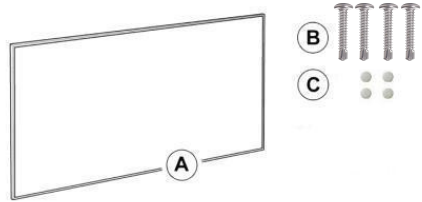
3 | TECHNICAL INFORMATION

HO-FIR series (ceiling mounted only)

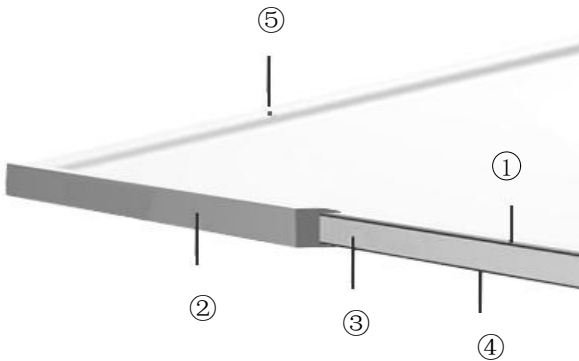
Heating element	Nicr heating wire
Heating way	Far infrared heating
Input Voltage	220-240V/50Hz
Surface temperature	110-130°C
Frame	Aluminum
IP grade	IP54 (exclude plug)
Over heating protection	Yes
Power cord length	1.9m

4 | SCOPE OF SUPPLY

- (A) 1 x heating device
- (B) 4 x Screws
- (C) 4 x Rubber hole plugs
- 1 x Manual



5 | DEVICE STRUCTURE

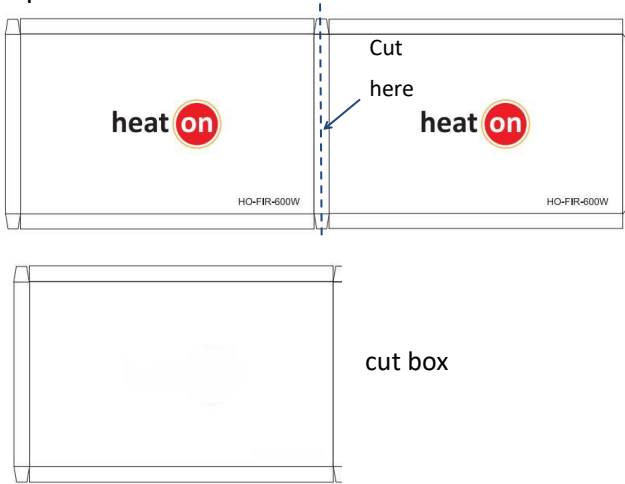


Designation

1. Heating Layer
2. Aluminum frame
3. Insulation Layer
4. Aluminum foil cloth
5. Mounting Hole

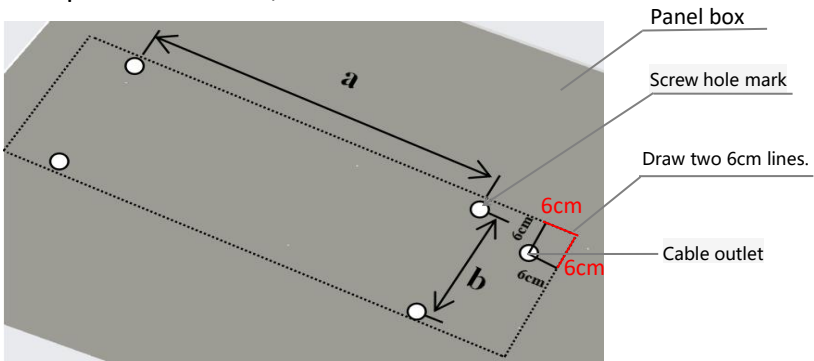
6 | INSTALLATION

1. Disassemble the panel heater box and cut it in half as per below.

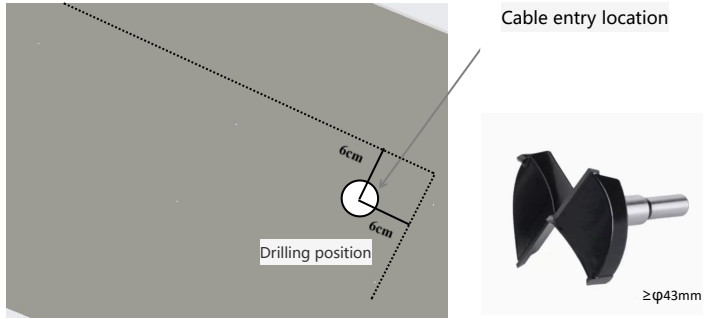


2. Use one of the pieces as a template. Place the panel on top of the box and draw the panel outline and mark the screw hole locations on the box.

Note the cable entry position and mark two 6cm lines so they intercept in one corner, this is the cable outlet location on the box.

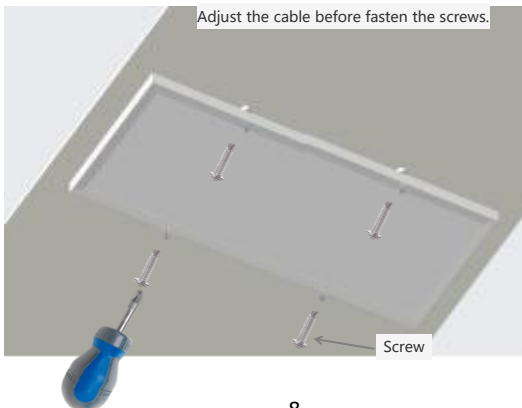


3. Place the box into position and mark the screw holes and cable outlet locations on the ceiling. Use a ϕ 43mm hole-saw for the 3-pin plug OR you can hardwire the cable therefore only needing a 10mm hole.



4. Place the panel into position. Check and fine tune your offset measurements.

5. Put the 3-pin plug/cable through the cable entry hole into ceiling. Insert the supplied screws into the mounting holes and fasten into suitable timber or metal studs above the ceiling line.



6. Cover the naked holes with the hole plugs.



7. Be sure to remove the protective film before turning on the heater for the first time.

7 | MAINTENANCE & SERVICING

Activities required before starting maintenance



Warning of electrical voltage

Do not touch the mains plug with wet or damp hands.

- Hold onto the mains plug while pulling the power cable out of the mains socket.
- Allow the device to cool down completely.



Warning of electrical voltage

Tasks which require the housing to be opened must only be carried out by authorized specialist companies.

Cleaning the device



Warning of electrical voltage

Never immerse the device in water!

Clean the device with a soft, damp and lint-free cloth. Ensure that no moisture enters the housing. Protect electrical components from moisture. Do not use any aggressive cleaning agents such as cleaning sprays, solvents, alcohol-based or abrasive cleaners to dampen the cloth.

Wipe the housing dry after cleaning

8 | STORAGE

When the device is not being used, observe the following storage conditions:

- dry and protected from frost and heat
- in an upright position where it is protected from dust and direct sunlight
- with a cover to protect it from invasive dust, if necessary
- Place no further devices or objects on top of the device to prevent it from being damaged.

9 | TECHNICAL ANNEX

Model NO.	Size(cm)	Power (W)	Voltage Frequency	Rated Current
HO-FIR-600W	92.7*62.7*2.3	600	230V/50HZ	2.6A
HO-FIR-900W	122.7*62.7*2.3	900		3.9A
HO-FIR-1200	152.7*62.7*2.3	1200		5.2A
HO-FIR-1500	182.7*62.7*2.3	1500		6.0A

10 | DISPOSAL



The icon with the crossed-out waste bin on waste electrical or electronic equipment stipulates that this equipment must not be disposed of with the household waste at the end of its life. You will find collection points for free return of waste electrical and electronic equipment in your vicinity. The addresses can be obtained from your municipality or local administration.

The separate collection of waste electrical and electronic equipment aims to enable the re-use, recycling and other forms of recovery of waste equipment as well as to prevent negative effects for the environment and human health caused by the disposal of hazardous substances potentially contained in the equipment.

